

Алматы (7273)495-231  
Ангарск (3955)60-70-56  
Архангельск (8182)63-90-72  
Астрахань (8512)99-46-04  
Барнаул (3852)73-04-60  
Белгород (4722)40-23-64  
Благовещенск (4162)22-76-07  
Брянск (4832)59-03-52  
Владивосток (423)249-28-31  
Владикавказ (8672)28-90-48  
Владимир (4922)49-43-18  
Волгоград (844)278-03-48  
Вологда (8172)26-41-59  
Воронеж (473)204-51-73  
Екатеринбург (343)384-55-89

Иваново (4932)77-34-06  
Ижевск (3412)26-03-58  
Иркутск (395)279-98-46  
Казань (843)206-01-48  
Калининград (4012)72-03-81  
Калуга (4842)92-23-67  
Кемерово (3842)65-04-62  
Киров (8332)68-02-04  
Коломна (4966)23-41-49  
Кострома (4942)77-07-48  
Краснодар (861)203-40-90  
Красноярск (391)204-63-61  
Курск (4712)77-13-04  
Курган (3522)50-90-47  
Липецк (4742)52-20-81

Россия +7(495)268-04-70

Магнитогорск (3519)55-03-13  
Москва (495)268-04-70  
Мурманск (8152)59-64-93  
Набережные Челны (8552)20-53-41  
Нижний Новгород (831)429-08-12  
Новокузнецк (3843)20-46-81  
Ноябрьск (3496)41-32-12  
Новосибирск (383)227-86-73  
Омск (3812)21-46-40  
Орел (4862)44-53-42  
Оренбург (3532)37-68-04  
Пенза (8412)22-31-16  
Петрозаводск (8142)55-98-37  
Псков (8112)59-10-37

Казахстан +7(7172)727-132

Пермь (342)205-81-47  
Ростов-на-Дону (863)308-18-15  
Рязань (4912)46-61-64  
Самара (846)206-03-16  
Саранск (8342)22-96-24  
Санкт-Петербург (812)309-46-40  
Саратов (845)249-38-78  
Севастополь (8692)22-31-93  
Симферополь (3652)67-13-56  
Смоленск (4812)29-41-54  
Сочи (862)225-72-31  
Ставрополь (8652)20-65-13  
Сургут (3462)77-98-35  
Сыктывкар (8212)25-95-17  
Тамбов (4752)50-40-97

Киргизия +996(312)96-26-47

Тверь (4822)63-31-35  
Тольятти (8482)63-91-07  
Томск (3822)98-41-53  
Тула (4872)33-79-87  
Тюмень (3452)66-21-18  
Ульяновск (8422)24-23-59  
Улан-Удэ (3012)59-97-51  
Уфа (347)229-48-12  
Хабаровск (4212)92-98-04  
Чебоксары (8352)28-53-07  
Челябинск (351)202-03-61  
Череповец (8202)49-02-64  
Чита (3022)38-34-83  
Якутск (4112)23-90-97  
Ярославль (4852)69-52-93

[www.masterwatt.nt-rt.ru](http://www.masterwatt.nt-rt.ru) | | [mwa@nt-rt.ru](mailto:mwa@nt-rt.ru)

# Технические характеристики на тепловентиляторы серии MW-UH-Ex КОМПАНИИ MASTERWATT

## UNIT HEATERS Series MW-UH-Ex



### DESCRIZIONE GENERALE:

I prodotti MW-UH-Ex sono aerotermi elettrici in esecuzione antideflagrante per il riscaldamento di locali di piccole medie dimensioni.

- Sono installabili a parete con l'ingresso dell'aria dal basso e mandata frontale.
- Ricircolano l'aria interna quindi con alta efficienza.
- Sono utilizzabili fino a temperature di  $-52^{\circ}\text{C}$
- Funzionano fino a  $40^{\circ}\text{C}$  in continuo
- Hanno limite ambientale di stoccaggio  $+60^{\circ}\text{C}$ .
- E' possibile installare internamente anche il termostato/sensore di controllo.
- Sono disponibili anche con telaio e JB in acciaio inox.

### GENERAL DESCRIPTION:

The MW-UH-Ex series contains explosion-proof electric fan heaters for heating small- to medium-sized areas.

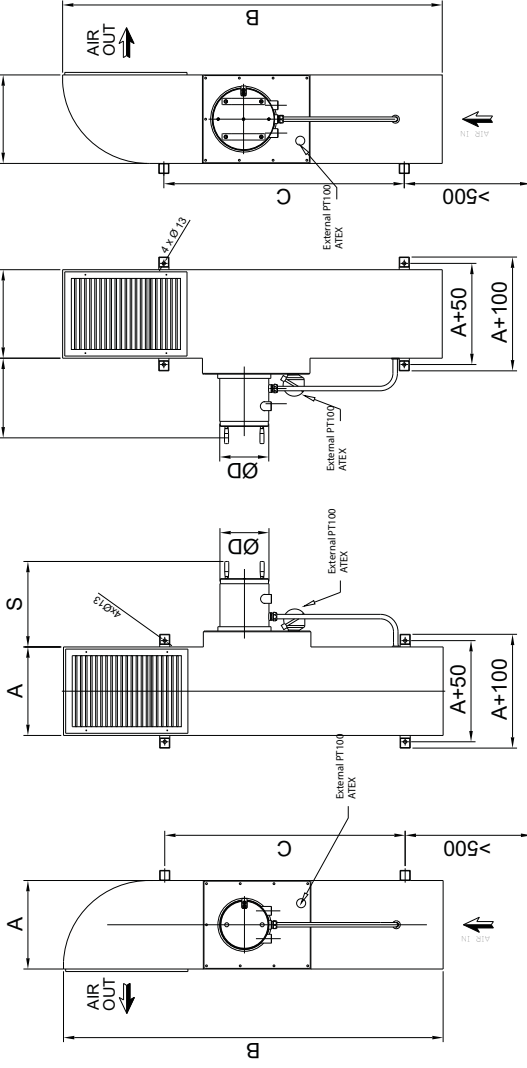
- They can be installed on the wall, having an air inlet at the base and outlet on the front.
- The air within the room is recirculated at high efficiency.
- The heaters can be used with temperatures as low as  $-52^{\circ}\text{C}$
- Their continuous function works up to  $40^{\circ}\text{C}$
- The ambient storage limit is  $+60^{\circ}\text{C}$ .
- A thermostat/control sensor can also be installed internally.
- Also available with a stainless-steel frame and JB.

### TECHNICAL DATA

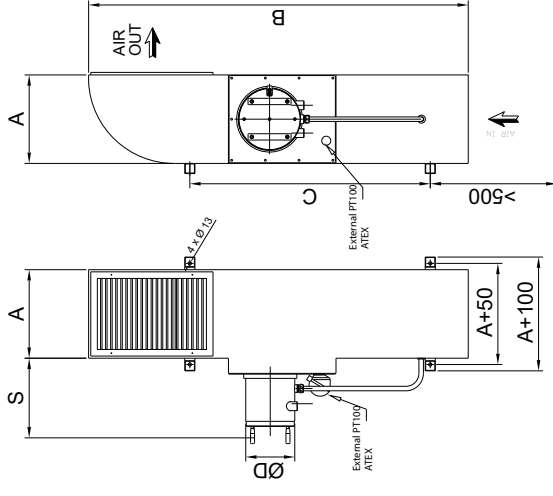
TAG	Power kW	Voltage V	Cert.	Ambient T°	Inlet Max	Zone		Temp.Class		IP	Frame Material		Fan
						Zone 1 IIC	Zone 2 IIC	T3	T4		CS - RAL	SS - AISI	
A	4,5	400	ATEX	See table A	25°C	✓	✓	✓	✓	65	✓	✓	CS/Pagas
B	6	400	ATEX	See table A	25°C	✓	✓	✓		65	✓	✓	CS/Pagas
C	6	400	ATEX	See table A	25°C	✓	✓		✓	65	✓	✓	CS/Pagas
D	9	400	ATEX	See table A	25°C	✓	✓	✓	✓	65	✓	✓	CS/Pagas
E	12	400	ATEX	See table A	25°C	✓	✓	✓		65	✓	✓	CS/Pagas
F	12	400	ATEX	See table A	25°C	✓	✓		✓	65	✓	✓	CS/Pagas
G	18	400	ATEX	See table A	25°C	✓	✓	✓		65	✓	✓	CS/Pagas
H	18	400	ATEX	See table A	25°C	✓	✓		✓	65	✓	✓	CS/Pagas
I	24	400	ATEX	See table A	25°C	✓	✓	✓		65	✓	✓	CS/Pagas
J	24	400	ATEX	See table A	25°C	✓	✓		✓	65	✓	✓	CS/Pagas
K	30	400	ATEX	See table A	25°C	✓	✓	✓		65	✓	✓	CS/Pagas
L	30	400	ATEX	See table A	25°C	✓	✓		✓	65	✓	✓	CS/Pagas

## UNIT HEATERS Series MW-UH-Ex

LINKE VERSION



RECHTE VERSION



TAG	A	B	C	S	ØD
A	350	1500	950	338	200
B	350	1500	950	338	200
C	350	1500	950	338	200
D	350	1500	950	338	200
E	350	1500	950	338	200
F	350	1500	950	315	245
G	350	1500	950	315	245
H	450	1500	950	338	200
I	450	1500	950	338	200
J	450	1500	950	315	245
K	450	1500	950	315	245
L	450	1500	950	315	245

Table A		Ambient T° -20°C ÷ +40°C - NT (Normal Temperature)		Ambient T° -52°C ÷ +40°C - LT (Low Temperature)	
TAG	Type of sensor	Type of thermostat	Set point	Type of thermostat	Set point
TS-1 a/b	1 Safety Sheath	THERMOSTAT MANUAL RESET FIXED SET POINT	200°C for T3 135°C for T4	THERMOSTAT MANUAL RESET 50÷300°C	200°C for T3 135°C for T4
	2 Safety Sheath	THERMOSTAT AUTOMATIC RESET RANGE 50÷220°C	185°C for T3 120°C for T4	THERMOSTAT AUTOMATIC RESET 50÷300°C	185°C for T3 120°C for T4
TS-2 a/b	1 Safety Sheath	THERMOSTAT MANUAL RESET FIXED SET POINT	200°C for T3 135°C for T4	THERMOSTAT MANUAL RESET 50÷300°C	200°C for T3 135°C for T4
	2 Safety Sheath	THERMOSTAT AUTOMATIC RESET RANGE 50÷220°C	185°C for T3 120°C for T4	THERMOSTAT AUTOMATIC RESET 50÷300°C	185°C for T3 120°C for T4
	3 Control Air	THERMOSTAT -35÷+35°C - AUTOMATIC RESET	<40	THERMOSTAT -20÷+40°C - AUTOMATIC RESET	<40
TS-3 a/b	1 Safety Sheath	THERMOSTAT MANUAL RESET FIXED SET POINT	200°C for T3 135°C for T4	THERMOSTAT MANUAL RESET 50÷300°C	200°C for T3 135°C for T4
	2 Safety Sheath	THERMOSTAT AUTOMATIC RESET RANGE 50÷220°C	185°C for T3 120°C for T4	THERMOSTAT AUTOMATIC RESET 50÷300°C	185°C for T3 120°C for T4
	3 Control Air	THERMORESISTANCE PT100 - AUTOMATIC RESET	<40	THERMORESISTANCE PT100	<40

UNIT HEATERS Series MW-UH-Ex

**PERSONAIZZAZIONE DEL CODICE**

I prodotti possono essere richiesti fornendo il codice della selezione che si desidera acquistare.

**CODE CUSTOMISATION**

Products requests can be effectuated by providing the selection code for the item you wish to purchase.

MW UH Ex \_ kW - \_ \_ \_ \_ \_

Potenza/Power kW

Cert. : 1T3/2T3/1T4/2T4  
(Zone+TClass)

Materiale/Material: CS/SS

Set termostati/Set of thermostats:  
1A/1B/2A/2B/3A/3B

Range temperature/Temperature Range:  
NT/LT

**Esempio/Example:** MWUH Ex 4,5kW - 1T3 - SS - 1A - LT

**DESCRIZIONE DEL VENTILATORE  
MOTOR AND FAN DESCRIPTION**

Materiale: Acciaio al carbonio, Alluminio, PAGAS  
Materials: Carbon steel, Aluminium, PAGAS

Tensione/Voltage: 400V/3Ph/50 Hz  
Potenza/Power < 0,24 kW  
Grado IP Motore/Motor IP Rating: IP 65

**TELAIO DEL RIDCALDATORE/HEATER FRAME**

Carpenteria disponibile nelle seguenti opzioni:

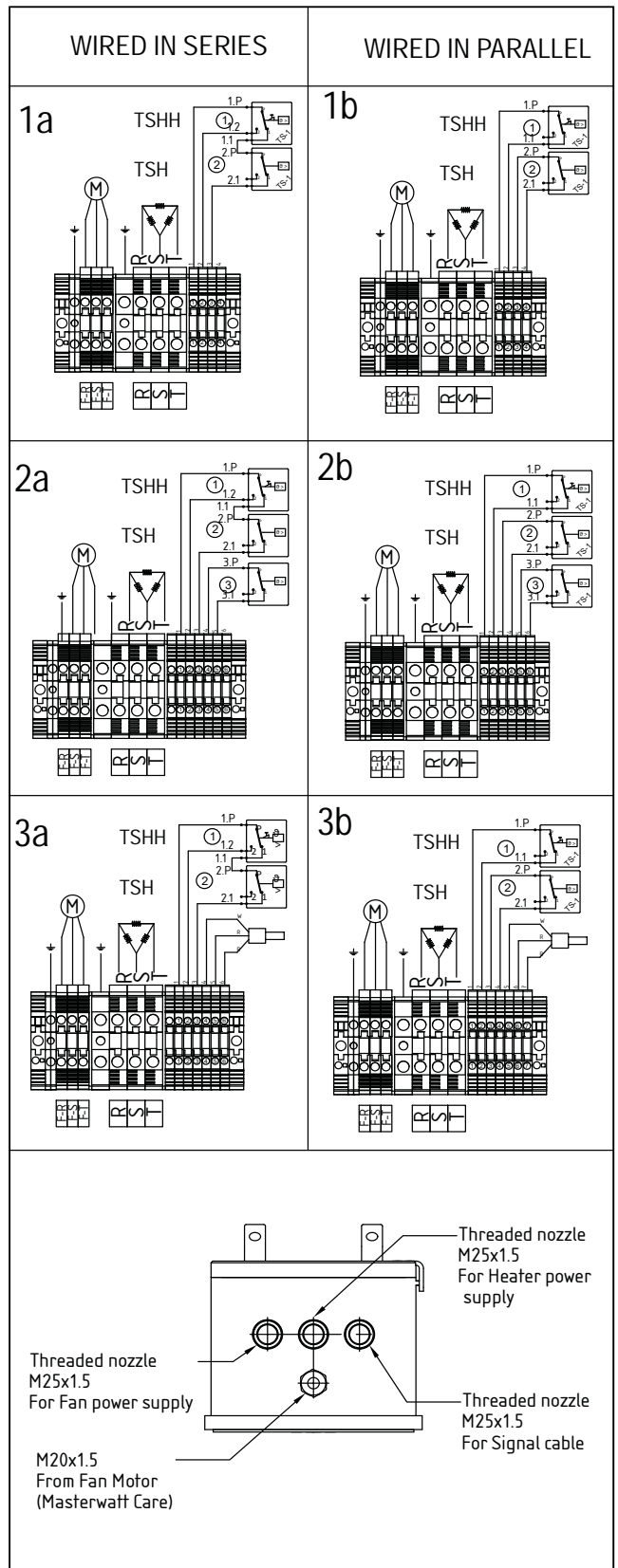
- Ferro verniciato spessore 15/10 Ciclo standard
- Acciaio inox AISI 304 spessore 15/10

Casing composed of:

- Carbon steel painted thickness 15/10 Standard painting cycle
- Stainless steel AISI 304 thickness 15/10

**\* ATTENZIONE/WARNING** Il certificato è valido solo se il cliente interblocca il funzionamento del riscaldatore con il ventilatore. Con precedenza del ventilatore in accensione e del riscaldatore in spegnimento./ The certificate is valid only if the customer interlocks the heater operation with the fan. The fan must have precedence upon ignition and the heater in shutdown mode.

**\*\* ATTENZIONE/WARNING!!** Se la lunghezza del cavo che arriva al riscaldatore è < 3m il cliente dovrà utilizzare dei pressacavi barriera./If the length of the cable connecting to the heater is below 3 metres, the customer will have to use barrier cable glands.



## UNIT HEATERS Series MW-UH-Ex



**1** La custodia antideflagrante Ex d del riscaldatore è accessibile dal fianco dell'aerotermo e non necessita di svitare i bulloni in quanto è essa stessa filettata.

The explosion-proof Ex d casing of the heater is accessible from the side of the fan heater. Due to it being threaded, it is not necessary to unscrew the bolts.

**2** All'interno della custodia i terminali elettrici del riscaldatore e del ventilatore sono facilmente accessibili.

Il set point del termostato di controllo e i terminali della PT100 (opzionale) sono accessibili senza rimuovere alcuna parte all'interno della custodia.

Accessing the electrical terminal housing of the heater and fan is simple. The set point of the control thermostat and the PT100 terminals (optional) are accessible without removing any part from within the casing.



**3** Il cablaggio del ventilatore e del termostato/sensore di controllo (opzionale) sono già eseguiti e i loro terminali sono disponibili nella custodia contatti.

The wiring of the fan and thermostat/control sensor (optional) is already completed, with their terminals being inside the contact housing.



### **4 CERTIFICAZIONI DISPONIBILI**

Questi prodotti sono disponibili anche certificati EAC Ex per l'unione doganale RUSSA

#### **CERTIFICATIONS AVAILABLE**

These products are also available with EAC-EX certification for the Russian customs union.



Алматы (7273)495-231  
Ангарск (3955)60-70-56  
Архангельск (8182)63-90-72  
Астрахань (8512)99-46-04  
Барнаул (3852)73-04-60  
Белгород (4722)40-23-64  
Благовещенск (4162)22-76-07  
Брянск (4832)59-03-52  
Владивосток (423)249-28-31  
Владикавказ (8672)28-90-48  
Владимир (4922)49-43-18  
Волгоград (844)278-03-48  
Вологда (8172)26-41-59  
Воронеж (473)204-51-73  
Екатеринбург (343)384-55-89

Иваново (4932)77-34-06  
Ижевск (3412)26-03-58  
Иркутск (395)279-98-46  
Казань (843)206-01-48  
Калининград (4012)72-03-81  
Калуга (4842)92-23-67  
Кемерово (3842)65-04-62  
Киров (8332)68-02-04  
Коломна (4966)23-41-49  
Кострома (4942)77-07-48  
Краснодар (861)203-40-90  
Красноярск (391)204-63-61  
Курск (4712)77-13-04  
Курган (3522)50-90-47  
Липецк (4742)52-20-81

Магнитогорск (3519)55-03-13  
Москва (495)268-04-70  
Мурманск (8152)59-64-93  
Набережные Челны (8552)20-53-41  
Нижний Новгород (831)429-08-12  
Новокузнецк (3843)20-46-81  
Ноябрьск (3496)41-32-12  
Новосибирск (383)227-86-73  
Омск (3812)21-46-40  
Орел (4862)44-53-42  
Оренбург (3532)37-68-04  
Пенза (8412)22-31-16  
Петрозаводск (8142)55-98-37  
Псков (8112)59-10-37

Пермь (342)205-81-47  
Ростов-на-Дону (863)308-18-15  
Рязань (4912)46-61-64  
Самара (846)206-03-16  
Саранск (8342)22-96-24  
Санкт-Петербург (812)309-46-40  
Саратов (845)249-38-78  
Севастополь (8692)22-31-93  
Симферополь (3652)67-13-56  
Смоленск (4812)29-41-54  
Сочи (862)225-72-31  
Ставрополь (8652)20-65-13  
Сургут (3462)77-98-35  
Сыктывкар (8212)25-95-17  
Тамбов (4752)50-40-97

Тверь (4822)63-31-35  
Тольятти (8482)63-91-07  
Томск (3822)98-41-53  
Тула (4872)33-79-87  
Тюмень (3452)66-21-18  
Ульяновск (8422)24-23-59  
Улан-Удэ (3012)59-97-51  
Уфа (347)229-48-12  
Хабаровск (4212)92-98-04  
Чебоксары (8352)28-53-07  
Челябинск (351)202-03-61  
Череповец (8202)49-02-64  
Чита (3022)38-34-83  
Якутск (4112)23-90-97  
Ярославль (4852)69-52-93

Россия +7(495)268-04-70

Казахстан +7(7172)727-132

Киргизия +996(312)96-26-47

[www.masterwatt.nt-rt.ru](http://www.masterwatt.nt-rt.ru) | | [mwa@nt-rt.ru](mailto:mwa@nt-rt.ru)